



*renowned TIMBECK quality  
renowned TIMBECK profiles  
a selected range produced from  
sustainable & AFS Certified SPOTTED GUM*


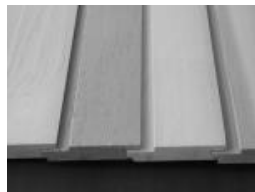








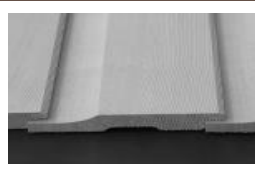


*spotted gum*  
**architectural PRODUCTS catalogue**










more product details & technical information – [www.timbeck.com.au](http://www.timbeck.com.au) edition L September 2015

## External Cladding – refer also to General Notes on Page 4

*T&G configuration shown is indicative only – refer web site for more detailed T&G data.*





SHIPLAP Series	C	T	PRODUCT CODE	PRODUCT IMAGE
 <p><b>SA series</b></p> <p>displays either a 3mm OR 6mm wide groove between adjacent boards – nominate either with order.</p>	70 120	18 18	SG SA 070 18 SG SA 120 18 nominate groove width with order	 <p><b>SG SB 070 18</b> <i>Shiplap cladding profile displaying a 12 mm wide groove between adjacent boards</i></p>
 <p><b>SB series</b></p> <p>displays a 12 mm wide groove between adjacent boards</p>	70 120	18 18	SG SB 070 18 SG SB 120 18	
 <p><b>SC series</b></p> <p>displays an 18 mm wide groove between adjacent boards</p>	70 120	18 18	SG SC 070 18 SG SC 120 18	
<p>Available also, 'S' series as a 12mm cladding incorporating a T&amp;G detail similar to the 18mm profile – that T&amp;G provides a better weathering interface than the standard 12mm panelling profile while offering a truly economical cladding product where an 18mm product thickness is not required.</p>	70 120	12 12	SG ** 070 12 SG ** 120 12	
		nominate series code (SA,SB or SC) & groove width (for SA) with order.		
VEE JOINT Series	C	T	PRODUCT CODE	PRODUCT IMAGE
 <p><b>VJ series</b></p> <p>the 'Vee' comprises a 45° face off a 1 mm shoulder for centre 'V' groove, add suffix 'CG' to code</p>	70 120	18 18	SG VJ 070 18 SG VJ 120 18	 <p><b>SG VJ 120 12 CG</b></p>
<p>Available also, VJ series as a 12mm cladding incorporating a T&amp;G detail similar to the 18mm profile – that T&amp;G provides a better weathering interface than the standard 12mm panelling profile while offering a truly economical cladding product where an 18mm product thickness is not required.</p>	70 120	12 12	SG VJ 070 12 SG VJ 120 12	
EASED EDGE Series	C	T	PRODUCT CODE	PRODUCT IMAGE
 <p><b>EA series</b></p> <p>displays a 6 mm wide groove between adjacent boards</p>	70 120	18 18	SG EA 070 18 SG EA 120 18	<p><i>Product images show profile details only and do not represent the colours of the Spotted Gum specie.</i></p> <p><i>the Eased Edge Profile provides a softer version of the square edge shiplap profile and looks equally well in horizontal or vertical applications</i></p>
 <p><b>EB series</b></p> <p>displays a 12 mm wide groove between adjacent boards</p>	70 120	18 18	SG EB 070 18 SG EB 120 18	
 <p><b>EC series</b></p> <p>displays an 18 mm wide groove between adjacent boards</p>	70 120	18 18	SG EC 070 18 SG EC 120 18	
RUSTICATED Series	C	T	PRODUCT CODE	PRODUCT IMAGE
 <p><b>RC series</b></p> <p>The RUSTICATED profile often suits requirements for a traditional Queensland Chamfer Board. Other similar Chamfer Board profiles can be custom machined to order.</p>	120	18	SG RC 120 18	

**External Cladding OR Internal Panelling – refer also to General Notes on Page 4**  
*T&G configuration shown is indicative only – refer web site for more detailed T&G data.*

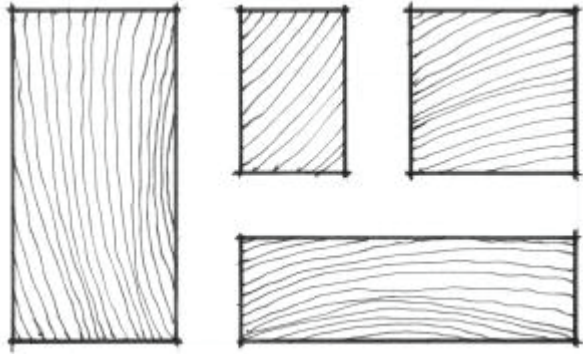

DÉCOR Series	C	T	PRODUCT CODE	PRODUCT IMAGE
 <p><b>DA series</b> two 29 mm wide faces separated by 6 mm wide groove</p>	70 70	12 18	SG DA 070 12 * SG DA 070 18	 <p><b>SG DF 070 26</b> the SG DF Series provides designers with an economical solution to getting away from traditional panelling appearances.</p>
 <p><b>DA series</b> two 54 mm wide faces separated by 6 mm wide groove</p>	120 120	12 18	SG DA 120 12 * SG DA 120 18	
 <p><b>DB series</b> three 17 mm wide faces separated by 6 mm wide grooves</p>	70 70	12 18	SG DB 070 12 * SG DB 070 18	 <p>a wider view of the faux screening profile an excellent choice when the bold appearance of a batten screen is required but without the loss of visual privacy</p>
 <p><b>DB series</b> three 34 mm wide faces separated by 6 mm wide grooves</p>	120 120	12 18	SG DB 120 12 * SG DB 120 18	
 <p><b>DC series</b> four 24 mm wide faces separated by 6 mm wide grooves</p>	120 120	12 18	SG DC 120 12 * SG DC 120 18	<p>Product images show profile details only and do not represent the colours of the Spotted Gum specie.</p>
 <p><b>DF series</b> two 23 mm wide faces separated by 12 mm wide grooves</p>	70	26	SG DF 070 26	
 <p><b>DG series</b> three 12 mm wide faces separated by 12 mm wide grooves</p>	70	26	SG DG 070 26	
<p><b>* NOTE : The 12mm thick Décor Series can only be used with other 12mm Décor profiles</b>  <b>The 18mm Décor profiles can be used with the other 18mm and the two 26mm Décor profiles</b></p>				

**Internal Panelling – refer also to General Notes on Page 4**

*T&G configuration shown is indicative only – refer web site for more detailed T&G data.*

SHIPLAP Series	C	T	PRODUCT CODE	PRODUCT IMAGE
 <p><b>SB series</b> displays a 12 mm wide groove between adjacent boards</p>	80 130	12 12	SG SB 080 12 SG SB 130 12	 <p><b>SG RY 130 12</b> elegant Regency profile</p>
 <p><b>VJ series</b> the 'Vee' comprises a 45° face</p>	80 130	12 12	SG VJ 080 12 SG VJ 130 12	
 <p><b>RY series</b></p>	80 130	12 12	SG RY 080 12 SG RY 130 12	

## Battens - Screening - Seating - Decking – refer also to General Notes below

SQUARE DRESSED SECTIONS	Finished Size	PRODUCT CODE	PRODUCT IMAGE
 <p>All SQUARE DRESSED (SQ) Sections have standard machined square corners.</p> <p>Product with arised or rounded corners is also available</p> <p>Standard Arised Corner is 3mm across face. For Product Code – substitute AR for SQ.</p> <p>Standard (Pencil) Rounded Corner is 3mm radius. For Product Code – substitute PR for SQ</p> <p>– minimum quantities may apply –</p> <p>- please enquire for further details and information on other corner detail dimensions if required -</p>	30 x 12	SG SQ 030 12	<p><i>TIMBECK Screening sections are widely used in commercial and retail applications.</i></p> <p><i>They are also popular for interior and exterior uses in residential construction</i></p>  <p><i>Standard size DAR sections produced with optional 6mm radius rounded corners</i></p> <p><i>Image depicts profile details only and does not represent the colours of the Blackbutt specie.</i></p>
	40 x 12	SG SQ 040 12	
	65 x 12	SG SQ 065 12	
	85 x 12	SG SQ 085 12	
	135 x 12	SG SQ 135 12	
	19 x 19	SG SQ 019 19	
	30 x 19	SG SQ 030 19	
	40 x 19	SG SQ 040 19	
	65 x 19	SG SQ 065 19	
	85 x 19	SG SQ 085 19	
	135 x 19	SG SQ 135 19	
	185 x 19	SG SQ 185 19	
	30 x 30	SG SQ 030 30	
	40 x 30	SG SQ 040 30	
	65 x 30	SG SQ 065 30	
	85 x 30	SG SQ 085 30	
	135 x 30	SG SQ 135 30	
	185 x 30	SG SQ 185 30	
	235 x 30	SG SQ 235 30	
	285 x 30	SG SQ 285 30	
40 x 40	SG SQ 040 40		
65 x 40	SG SQ 065 40		
85 x 40	SG SQ 085 40		
135 x 40	SG SQ 135 40		
185 x 40	SG SQ 185 40		
235 x 40	SG SQ 235 40		
285 x 40	SG SQ 285 40		

### General Notes – all Spotted Gum Products

- Availability** - all TIMBECK Spotted Gum products are produced to order.  
- minimum quantities may apply and can vary depending on end section size.
- Other Species** - Spotted Gum orders MAY contain a small percentage of other similar species.
- Grade** - Standard & Better which allows the random inclusion of small amounts of natural characteristics. These small inclusions are considered essential for Spotted Gum to truly exhibit its unique appearance.
- Treatment** - most TIMBECK Spotted Gum products are ACQ treated to hazard level H3.
- Coating** - standard supply is in RAW timber - factory pre-coating of most products is also available.
- Lengths** - standard supply of all Spotted Gum production is in random lengths - set length supply of some products may be available depending on quantity, lengths required and end section size.
- Fixings** - the offset T&G detail on TIMBECK profiles facilitates both concealed & face fixing and either option can be achieved with nails or screws – see web site for comprehensive details.
- Enquiries** - while TIMBECK endeavours to clarify as clearly as possible, all conditions affecting product availability, often some aspects cannot be precisely addressed without greater knowledge of the application. We welcome all enquiries & requests for more detail.

**- all products & profiles shown in this catalogue are available in Spotted Gum –**

**- some or all of them are also available in many of the species listed below, particularly Western Red Cedar –**

**- please refer to the web site for more comprehensive and detailed data on all requirements, irrespective of profile or specie -**

<b>American Oak</b>	<b>Coastal Blackbutt</b>	<b>Blue Gum</b>	<b>Douglas Fir</b>
<b>European Oak</b>	<b>Hemlock</b>	<b>Hoop Pine</b>	<b>Ironbark</b>
<b>Jarrah</b>	<b>Kwila (Merbau)</b>	<b>Rock Maple</b>	<b>N.G. Rosewood</b>
<b>Tasmanian Oak</b>	<b>Victorian Ash</b>	<b>Walnut</b>	<b>Western Red Cedar</b>